

Programmes After Market Services NHP-2 Series Transceivers

10. Accessories

Contents

	Page No
Battery (BLB-3)	5
AC Travel Charger (ACP-7U)	6
Performance Travel Charger (ACP-8U)	7
Battery Charging Stand (DDC-1)	8
Cigarette Lighter Charger (LCH-9)	9
Headset (HDE-1).....	10
Loopset (LPS-1).....	11
Desktop stand (DCH-8)	12
Connectivity Desktop stand (DCH-8D).....	13
DCH-12K	14
HDA-8.....	15
CSL-17	16
DLR-3P	17
Advanced Car Kit (CARK-91)	18
Advanced Car Kit with HSU-1 Handset (CARK-91H).....	19

Battery (BLB-3)

The BLB-3 is a 1000 mAh Li-Ion battery.

Product Code

Battery BLB-3

0670283

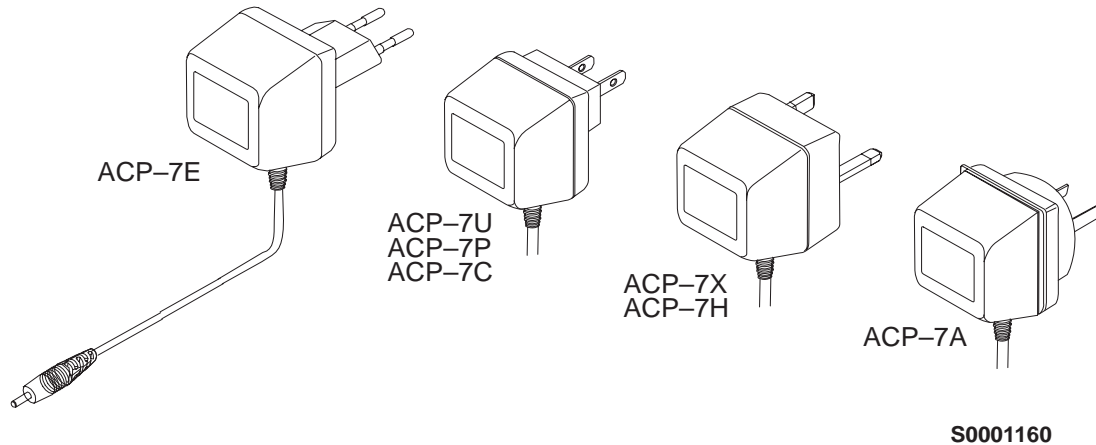
View of Battery BLB-3



AC Travel Charger (ACP-7)

The standard charger is available for different voltage levels and comes with different wall plugs. The standard charger also can be used as a power supply for the basic stand and desktop stand.

View of AC Travel Charger



Product Codes

AC Travel Charger (Euro plug) 207–253 Vac	ACP-7E	0675144
AC Travel Charger (US plug) 108–132 Vac	ACP-7U	0675143
AC Travel Charger (US plug) 207–253 Vac	ACP-7P	0675147
AC Travel Charger (US plug) 198–242 Vac	ACP-7C	0675158
AC Travel Charger (UK plug) 207–253 Vac	ACP-7X	0675145
AC Travel Charger (UK plug) 180–220 Vac	ACP-7H	0675146
AC Travel Charger (Australia) 216–264 Vac	ACP-7A	0675148

Specification

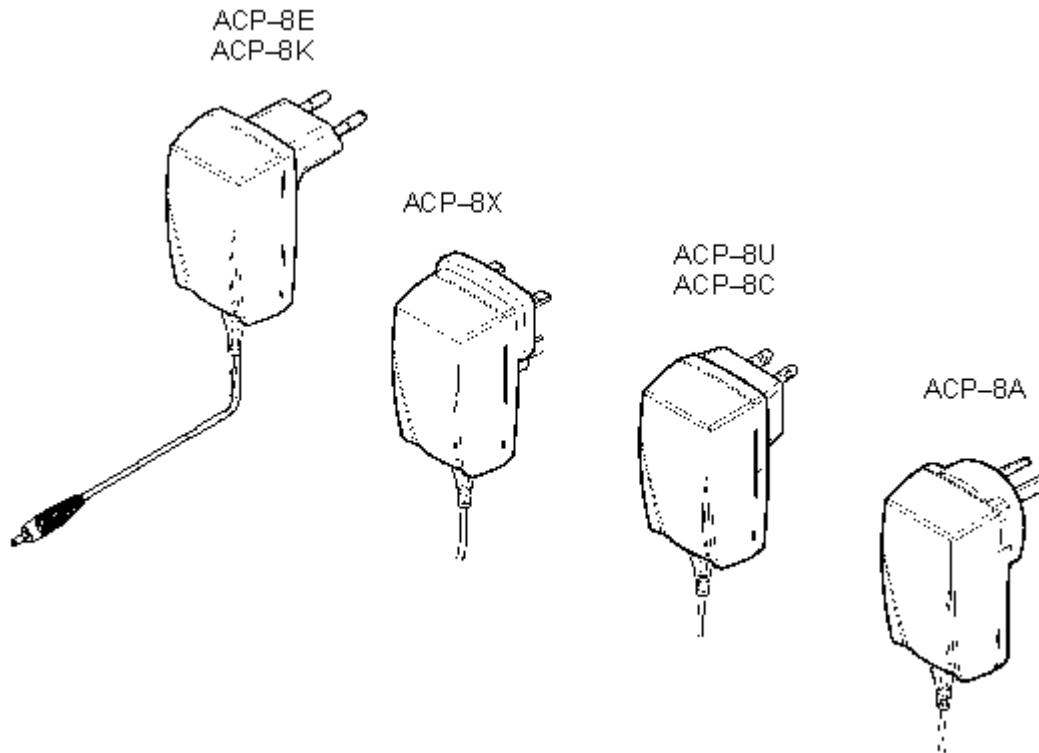
Output connectors:	3.5 mm DC plug, 2-pole
Protection:	PTC protection
Output Voltage /Current (typ)	7.6 V / 370 mA

Performance Travel Charger (ACP-8)

Operating within the voltage range 90 V...264 V AC (50 Hz...60 Hz), the Performance Travel Charger is current-independent in normal office and household use. Like the standard charger, it is compatible with all battery options and is available for different wall sockets.

The Performance Travel Charger can also be used with desktop stand.

View of Performance Travel Charger



Product Code

ACP-8U Performance Travel Charger US plug 90-264 Vac	0675196
ACP-8E Performance Travel Charger Euro plug 90-264 Vac	0675195
ACP-8K Performance Travel Charger Korea plug 90-264 Vac	0675199
ACP-8X Performance Travel Charger UK plug 90-264 Vac	0675197
ACP-8C Performance Travel Charger China plug 90-264 Vac	0675211
ACP-8A Performance Travel Charger Australia plug 90-264 Vac	0675214

Specifications

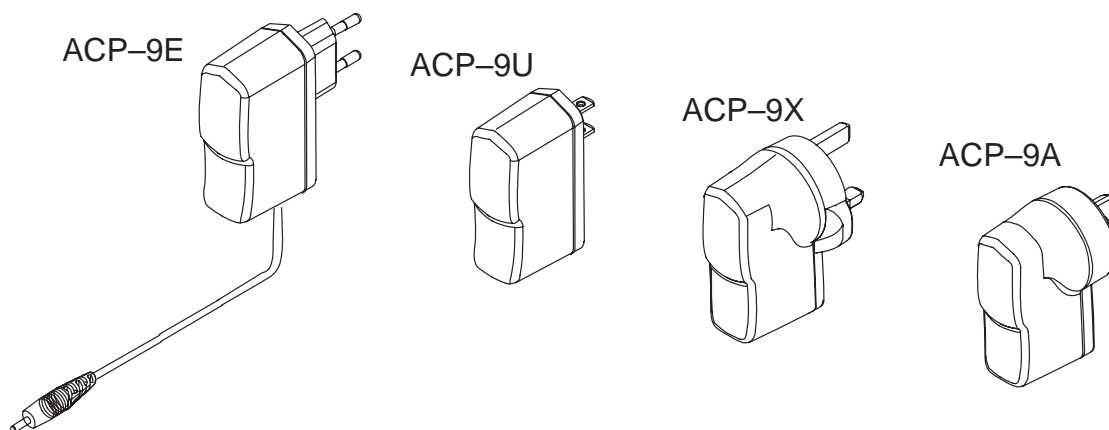
Output connectors:	3.5 mm DC plug, 2-pole (+, -, control)
Protection:	Output fault voltage 16 V max
Output voltage/current (typ):	6.0 V (0.3 V)/ 620 mA

Fast Travel Charger (ACP-9)

Operating within the voltage range 90 V...264 V AC (50 Hz...60 Hz), the Fast Travel Charger is practically current independent in normal office and household use. Like the standard charger, it is compatible with all battery options and is available for different wall sockets.

The Fast Travel Charger can also be used with desktop stand.

View of ACP-9



Product Codes

Fast Travel Charger (Euro plug) 90-264 Vac	ACP-9E	0675149
Fast Travel Charger (US plug) 90-264 Vac	ACP-9U	0675151
Fast Travel Charger (UK plug) 90-264 Vac	ACP-9X	0675150
Fast Travel Charger (Australia) 90-264 Vac	ACP-9A	0675152
Output cable	PCC-1	0730076

Specification

Output connectors:	3.5 mm DC plug, 3-pole (+, -, control)
Protection:	output current limiting, max. 850 mA output voltage limiting, max. 9.3 V (unloaded)
Output voltage/current (typ):	8.4 V / 800 mA

Battery Charging Stand (DDC-1)

Supports BLB-2, BLB-3, BLL-2, BMC-2, BMC-3, and BLC-2 batteries. Compatible chargers: Standard Charger ACP-7, Travel Charger ACP-8, and Performance Travel Charger ACP-9.

Product Code

Battery Charging Stand

0675243

View of Battery Charging Stand (shown with battery)



Specifications

Dimensions (H x W x D): 31 x 62 x 105.5 mm

Weight: 97 g

Specifications

Connections: 3.5 mm DC jack (ACP-7 or ACP-8)

Cigarette Lighter Charger (LCH-9)

The LCH-9 provides charging using the automobile cigarette lighter socket.

Product Code

Cigarette lighter charger LCH-9 0675120

View of Cigarette Lighter Charger



Specifications

Connectors

- input:: *D 21/23 mm*
- output:: *3.5 mm DC plug*

Protection: *input fused, output current limit 850 mA*

Voltage

- input: *11...32 V*
- output (nominal): *8.4 V*

Nominal output current: *800 mA*

Headset (HDE-1)

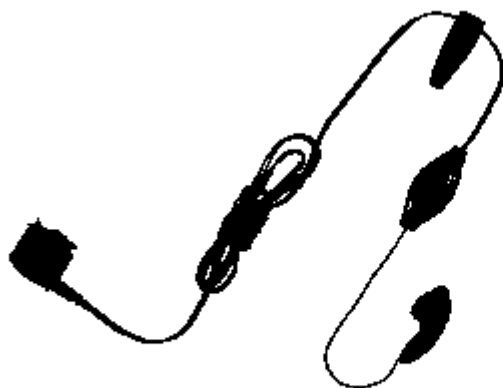
A headset option that connects to the phone via the system connector at the bottom of the phone.

Product Code

Headset HDE-1

0694076

View of Headset



Specifications

Weight: 14 g

Length of cable: 1050 ± 50 mm

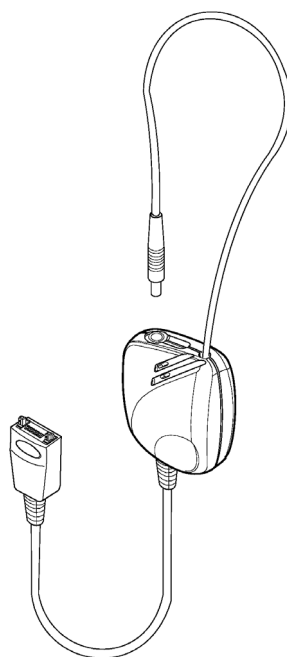
Loopset (LPS-1)

Loopset LPS-1 has been developed for hearing aid users to allow them to use mobile phones. It is based on induction technology. All hearing aids have support for an induction loop, *i.e.*, they have a little telecoil inside. This coil can capture the signal supplied to the loop. Standard hearing aids have two operation modes; M-mode for normal microphone use and T-mode for telecoil use.

Product Code

Loopset LPS-1 0272233

View of Loopset



Recommended Batteries

Note (1): The capacity of the zinc air battery will fall 20% in a month. After activation, the zinc air battery begins to self-discharge. The battery will be empty within five weeks.

Type	Size / IEC-type	Rated capacity	Talk time (3mA load)	Standby
Zinc Air Hearing Aid Battery	675 / PR44	540 mAh	180 hrs	840 hrs or 35 days ⁽¹⁾
Silver Oxide Hearing Aid Battery	675 / SR44	150 mAh	50 hrs	7,500 hrs or 310 days
Alkaline Battery	675 / LR44	110 mAh	36 hrs	5,500 hrs or 230 days

Note (1): The capacity of the zinc air battery will fall 20% in a month. After activation, the zinc air battery begins to self-discharge. The battery will be empty within five weeks.

Desktop stand (DCH-8)

The DCH-8 is a desktop charging stand.

Product Code

Desktop stand DCH-8

0675nnn

View of Desktop stand DCH-8 (with transceiver)



Connectivity Desktop stand (DCH-8D)

The DCH-8D provides data connectivity and charging.

Product Code

Desktop stand DCH-8D

0675256

View of Desktop stand DCH-8D (shown with transceiver and DLR-3 cable)



DCH-12K

The DCH-12K is a desktop stand that provides charging and handsfree operation.

Product Code

Desktop stand DCH-12K

0675228

View of Desktop stand DCH-12K



HDA-8

The HDA-8 is an adapter that allows the phone to work with TTY devices for the hearing impaired.

Product Code

HDA-8 Headset/TTY Adapter

0273333

View of the HDA-8 (shown with transceiver)



CSL-17

The CSL-17 is a leather-style case for the 6385.

Product Code

Belt clip CSL-17

0720271

View of CSL-17



DLR-3P

DLR-3P is a data cable.

Product Code

Data cable DLR-3P

0730183

View of DLR-3P



Advanced Car Kit (CARK-91)

The CARK-91 provides handsfree operation while driving.

Product Code

Advanced Car Kit CARK-91

0080263

View of CARK-91



Note: The transceiver is not included in the car kit. For additional information on CARK-91 components, installation, and safety procedures, see Chapter 11 "Car Kits".

Advanced Car Kit with HSU-1 Handset (CARK-91H)

It includes the same features as the CARK-91 with the addition of a privacy handset.

Product Code

Advanced Car Kit with Handset CARK-91H

0080287

View of CARK-91H



Note: The transceiver is not included in the car kit. For additional information on CARK-91H components, installation, and safety procedures, see Chapter 11 "Car Kits".